

# LifeSmart

Simply Brilliant

**Door/Window Sensor** Model. LS013

Setting up your LifeSmart™ Door/Window Sensor

User Guide Version 1.0

## PRODUCT INTRODUCTION

Combine the LifeSmart™ Door/Window Sensor with your LifeSmart™ Smart Station and other devices to make your life simple, and to let you monitor, control, and even automate your home or office environment. Care for your pets and loved ones with 24 hour access and stay informed of changing security conditions. You can choose automatic actions such as turning on or off televisions, lights, coffee makers, or other devices when you come and go. You can also have lights turn on when a door is opened, or have a notification sent to your smart device if a window is opened. When paired with the LifeSmart™ Smart Home Wi-Fi camera or FRAME™ LifeStyle Camera, the sensor can even tell your LifeSmart™ Smart Home System to send you a photo if someone comes through a door or window. Protect your home and loved ones anytime, anywhere. Brilliant and simple, get ready to experience carefree smart home living that the whole family can enjoy.

### Disposal And Recycling Information


This symbol indicates that this product and/or battery should not be disposed of with household waste. When you decide to dispose of this product and/or its battery, do so in accordance with local environmental laws and guidelines.



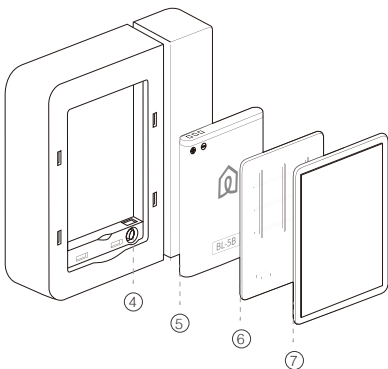
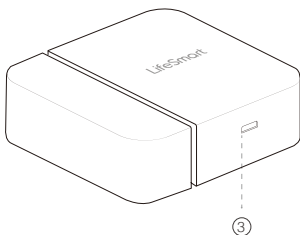
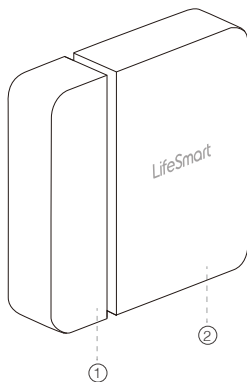
## IN YOUR PACKAGE

- Door/Window Sensor 1
- User Guide 1

## SPECIFICATIONS

Size	70*70*38mm
Weight	90g
Wireless distance	400m (open field)
Operating frequency	433MHz GFSK
Operating temperature	-25 ~ 40°C
Operating humidity	0 ~ 95%
Charging input	5V DC $\mp$ 500mA
Standby time	$\geq$ 6 months (standard environment)
Regulatory certification	 RoHS

## DOOR/WINDOW SENSOR



- ① Sensor Magnet
- ② Sensor Unit
- ③ Micro USB Charging Port
- ④ Pairing Button
- ⑤ Battery
- ⑥ Battery Cover
- ⑦ Rear Mounting Plate

## EASY SETUP

Your Door/Window Sensor requires a LifeSmart Smart Station and the LifeSmart App to operate. Please download the APP to your smart device and set up your Smart Station before proceeding. The APP is available by going directly to our website or scanning the following QR Code.

### ▶ Method 1



### ▶ Method 2



- ① Open the LifeSmart APP and initiate adding a device.
- ② Open and insert the battery in your Door/Window Sensor. Although the sensor comes with a partial charge from the factory, it is recommended that you connect the micro USB power cord and charge your device for 6-8 hours before use.
- ③ Push the pairing button on the back of your Door/Window Sensor for 5 seconds until the indicator light flashes to indicate that the sensor is being paired.
- ④ You will be prompted in the app when pairing is complete.
- ⑤ Remove adhesive tape and install the mounting bracket on the door, window, cabinet, safe, etc. Be sure to align the sensor magnet with the sensor unit leaving just enough space for free clearance.

For technical support or FAQ's please visit us at [www.ilifesmart.com](http://www.ilifesmart.com) and find out how to contact our happiness team in your region.